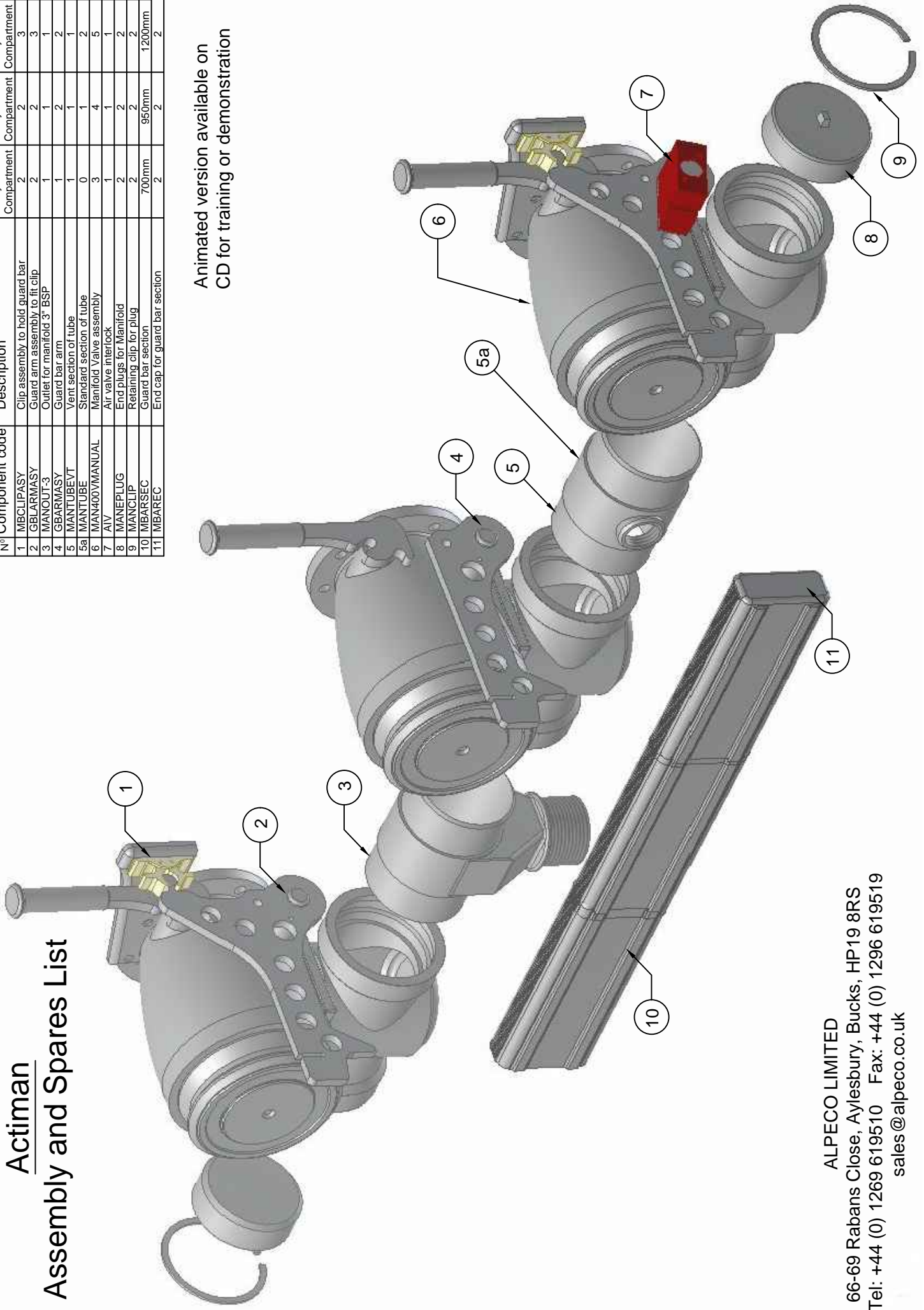


Actiman Assembly and Spares List

| Nº | Component code | Description | Qty for 3 Compartment | Qty for 4 Compartment | Qty for 5 Compartment |
|----|----------------|---------------------------------|--------------------------|--------------------------|--------------------------|
| 1 | MBCLIPASY | Clip assembly to hold guard bar | 2 | 2 | 3 |
| 2 | GBLARMASY | Guard arm assembly to fit clip | 2 | 2 | 3 |
| 3 | MANOUT-3 | Outlet for manifold 3" BSP | 1 | 1 | 1 |
| 4 | GBARMASY | Guard bar arm | 1 | 2 | 2 |
| 5 | MANTUBEVT | Vent section of tube | 1 | 1 | 1 |
| 5a | MANTUBE | Standard section of tube | 0 | 1 | 2 |
| 6 | MAN400VMANUAL | Manifold Valve assembly | 3 | 4 | 5 |
| 7 | AIV | Air valve interlock | 1 | 1 | 1 |
| 8 | MANEPLUG | End plugs for Manifold | 2 | 2 | 2 |
| 9 | MANCLIP | Retaining clip for plug | 2 | 2 | 2 |
| 10 | MBAREC | Guard bar section | 700mm | 950mm | 1200mm |
| 11 | MBAREC | End cap for guard bar section | 2 | 2 | 2 |

Animated version available on
CD for training or demonstration



ALPECO LIMITED
66-69 Rabans Close, Aylesbury, Bucks, HP19 8RS
Tel: +44 (0) 1269 619510 Fax: +44 (0) 1296 619519
sales@alpeco.co.uk